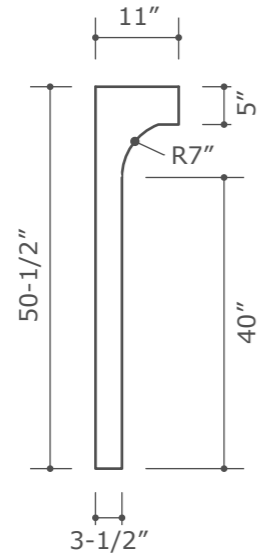
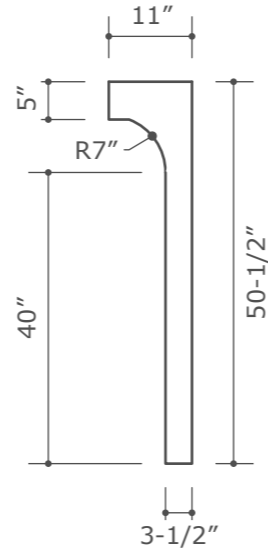


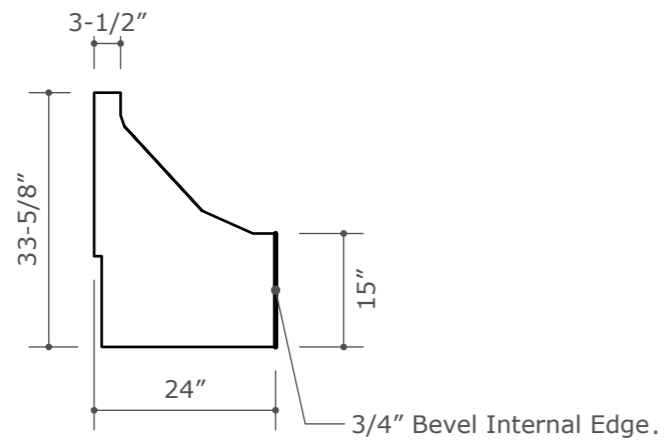
12. Top Left Bolster: 1-1/2" Thick



13. Top Right Bolster: 1-1/2" Thick



14. Bottom Left Bolster: 1-1/2" Thick



15. Bottom Left Bolster: 1-1/2" Thick

